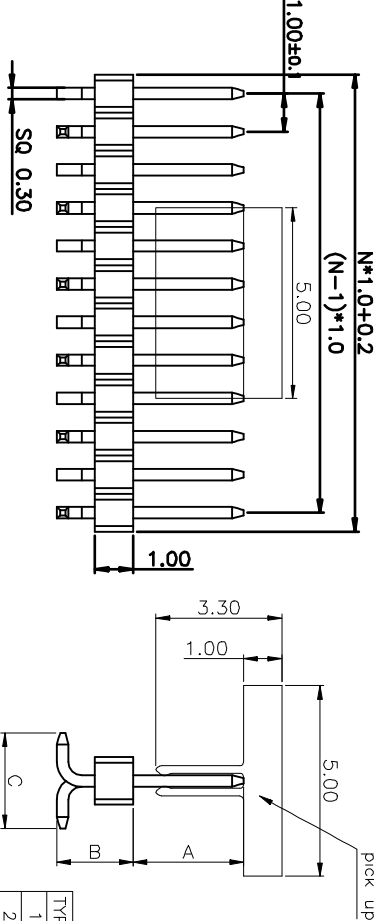
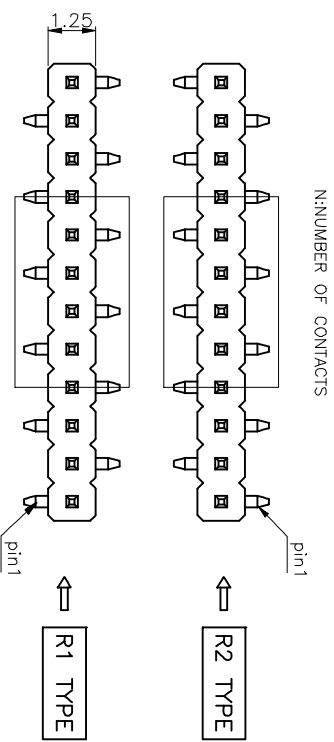
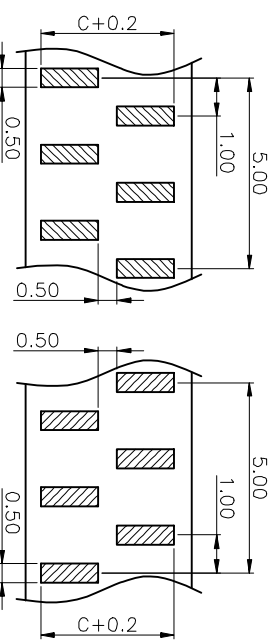


| REV. | DESCRIPTION | DRAWN | CHECKED | APPROVED |
|------|-------------|----------------|---------|----------------|
| A | NEW RELEASE | ZQJ 11/18/2014 | ~ | ZQJ 11/18/2014 |
| B | ADD P/N QDR | CJJ 11/18/2014 | ~ | |

- NOTES:
- MATERIAL
 - INSULATOR:THERMOPLASTIC(UL 94V-0).
 - CONTACT MATERIAL: COPPER ALLOY.
 - SPECIFICATION
 - CURRENT RATING:1.0 Amp.
 - INSULATION RESISTANCE:500MΩ Min.
 - DIELECTRIC WITHSTANDING:600VAC.
 - CONTACT RESISTANCE:20mΩ Max.
 - OPERATING TEMPERATURE:-45°C TO+110°C.



| TYPE | DIM A | DIM B | DIM C |
|------|-------|-------|-------|
| 1 | 3.20 | 2.80 | 6.50 |
| 2 | | | |
| 3 | | | |
| 4 | | | |
| 5 | | | |
| 6 | | | |
| 7 | | | |
| 8 | | | |



RECOMMEND PCB LAYOUT(R2 TYPE)
(TOLERANCE=±0.05)

RECOMMEND PCB LAYOUT(R1 TYPE)
(TOLERANCE=±0.05)

| GENERAL TOLERANCE | | ANGLE TOLERANCE | | PROJECTION | | TITLE | |
|-------------------|----------|-----------------|-----|------------|--------|------------------------------------|--|
| X | ±0.60 | X | ±5° | mm | mm | SINGLE ROW PIN HEADER | |
| .X | ±0.38 | .X | ±3° | A4 | A4 | PITCH 1.0mm SMT TYPE | |
| .XX | ±0.25 | .XX | ±2° | | | SERIES LL1013-04K | |
| DRAWING TYPE | CUSTOMER | SCALE | 1:1 | SHEET | 1 OF 1 | 慈溪蓝翎电子有限公司 | |
| DRAWING NO. | | | | | | CIXI LANLING ELECTRONICS CO., LTD. | |

H 1 2 3 4 5 6 7 8

G

F

E

D

C

B

A