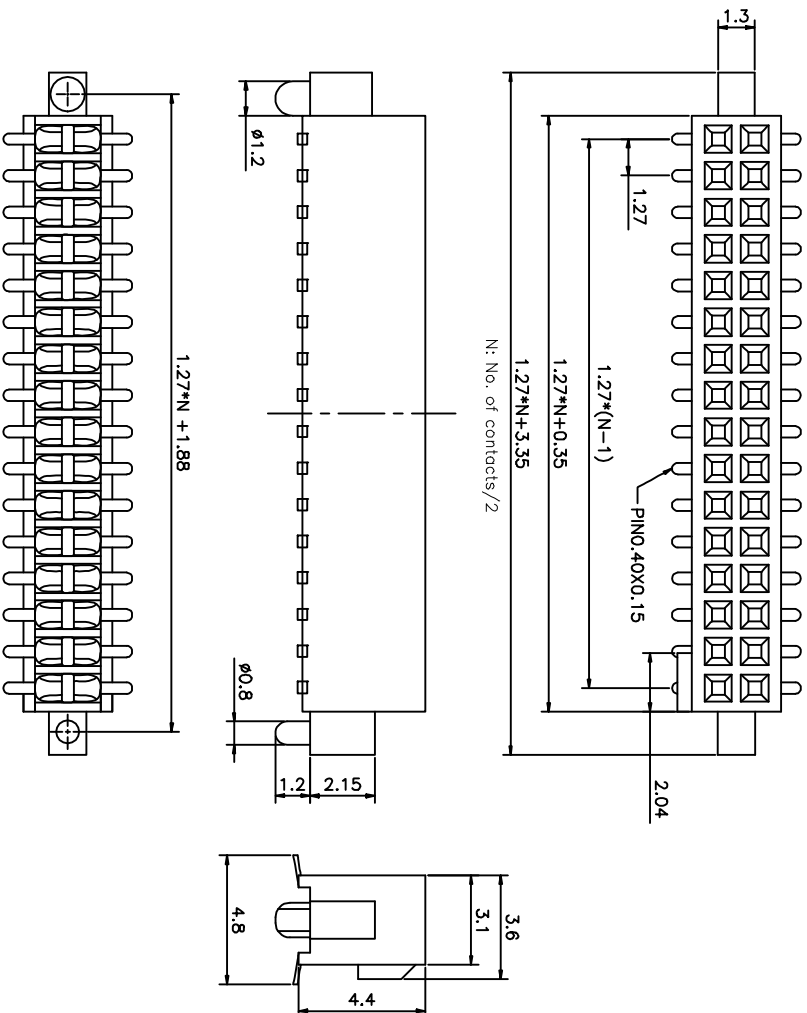


REV.	DESCRIPTION	DRAWN	CHECKED	APPROVED
A	NEW RELEASE	ZQJ 11/18/2014	~	ZQJ 11/18/2014
B	ADD P/R CODE	CJJ 11/18/2014	~	

NOTES:

1. SPECIFICATIONS

- . Current Rating: 1A
  - . Insulation Resistance: 500MΩ Min
  - . Dielectric Withstanding: 300V AC
  - . Contact Resistance: 30mΩ Max
  - . Operating Temperature: -40°C to +105°C
2. MATERIALS
- . Contact Material: Copper alloy
  - . Insulator: Thermoplastic(UL94 V-0)



GENERAL TOLERANCE		ANGLE TOLERANCE		PROJECTION		TITLE	
X, .X	±0.60	X, .X	±5°	mm	⊕	FEMALE HEADER PITCH 1.27mm TYPE WITH POLARIZATION AND LOCAL PEG S.M.T	
.XX	±0.38	.XX	±3°	A4		SERIES	LL1018-5B
	±0.25	.XX	±2°				
DRAWING TYPE		CUSTOMER					
SCALE	1:1	SHEET	1 OF 1				
DRAWING NO.							

慈溪蓝翎电子有限公司  
CIXI LANLING ELECTRONICS CO., LTD.

蓝翎电子