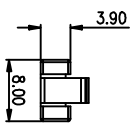
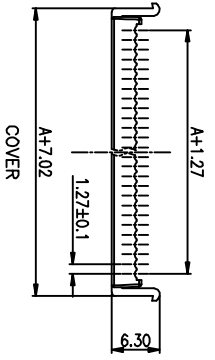
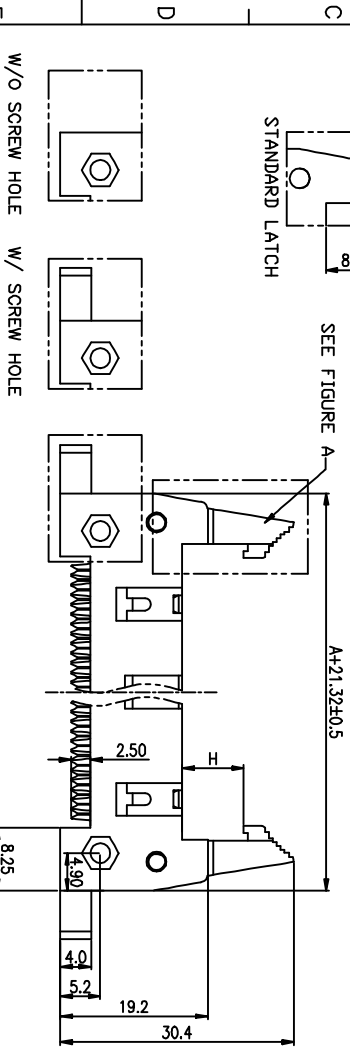
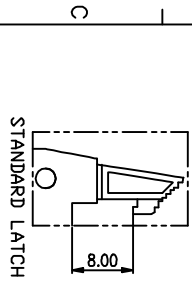
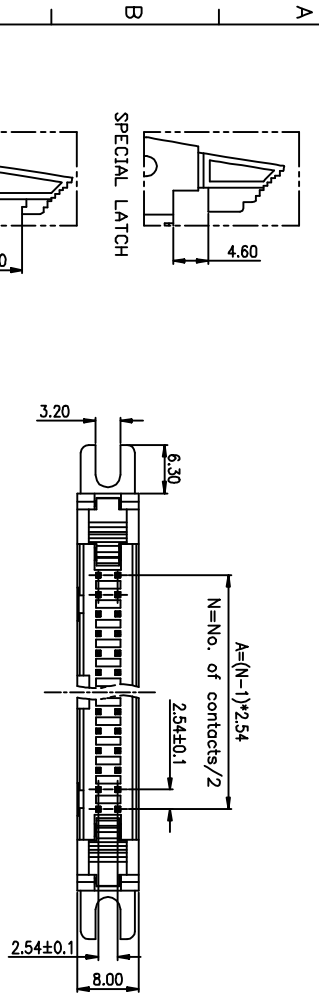
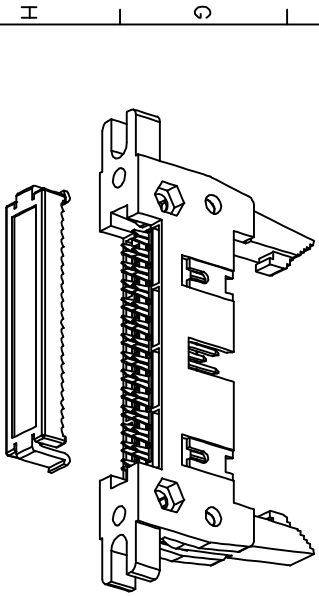


| REV. | DESCRIPTION | DRAWN | CHECKED | APPROVED |
|------|-------------|----------------|---------|----------|
| A | NEW RELEASE | ZQJ 11/18/2014 | | |
| | | | | |
| | | | | |



- NOTES:
- MATERIAL
 - 1.1 INSULATOR:THERMOPLASTIC(UL 94V-0).
 - 1.2 CONTACT: COPPER ALLOY.
 - SPECIFICATION
 - 2.1 STORAGE TEMPERATURE:-40°C~+105°C.
 - 2.2 CONTACT RESISTANCE:20mΩ max.(initial).
 - 2.3 INSULATION RESISTANCE:1000MΩ min.
 - 2.4 DIELECTRIC WITHSTANDING VOLTAGE:AC 500V PER MINUTE.

3. PRODUCT NUMBER CODE:
- LL1031 - X X X X X X X X
- LOCK DIM.H
 - 8: 8.00mm (standard)
 - 4: 4.60mm (special)
 - HOUSING COLOR
 - A: GRAY
 - B: BLACK
 - CONTACT PLATING
 - O: SELECTIVE GOLD FLASH
 - STRAIN RELIEF
 - N: W/O
 - SCREW HOLE
 - M: W/
 - N: W/O
 - ELECTOR TYPE
 - L: Long
 - No. OF CONTACTS
 - 10 14 16 24 26
 - 30 40 50 60 84
 - SERIES No.
 - LL1031



| GENERAL TOLERANCE | | ANGLE TOLERANCE | |
|-------------------|-------|-----------------|-----|
| X | ±0.60 | X | ±5° |
| .X | ±0.38 | X | ±3° |
| .XX | ±0.25 | .XX | ±2° |

| DRAWING TYPE | CUSTOMER | SHEET | 1 OF 1 |
|--------------|----------|-------|--------|
| SCALE | 1:1 | | |
| DRAWING NO. | | | |

| PROTECTION | TITLE |
|------------------------------------|--------|
| UNITS | mm |
| SHEET SIZE | A4 |
| SERIES | LL1031 |
| MATES WITH PITCH 1.27mm FLAT CABLE | |

慈溪蓝翎电子有限公司
 CIXI LANLING ELECTRONICS CO., LTD.
 Tel: 86-574-63519086 Fax: 86-574-63517070