

REV.	DESCRIPTION	DRAWN	CHECKED	APPROVED
A	NEW RELEASE	ZQJ 11/18/2014	~	ZQJ 11/18/2014
B	ADD P/N CODE	CJJ 11/18/2014	~	

NOTES:
1. SPECIFICATIONS:

- 1.1 CONTACT RESISTANCE: 20mΩ Max.
 - 1.2 DIELECTRIC WITHSTANDING VOLTAGE: 500V AC FOR 1 MINUTE.
 - 1.3 INSULATION RESISTANCE: 1000MΩ Min.
 - 1.4 OPERATING TEMPERATURE: -40°C~+105°C.
 - 1.5 MALE PIN RANGE: $\phi 0.381 \sim 0.635$.
 - 1.6 CURRENT RATING: 3A Per Pin Max.
2. PRODUCT NUMBER CODE:

LL1021-1 - X X X X X X X X - XX X

PACKING TYPE ①
A: TUBE + PLASTIC NAIL
B: TUBE + RUBBER

CLIP TYPE
JK: IMPORT
GC: DOMESTIC

CENTRAL SUPPORT
S: W/o CENTRAL SUPPORT
X: W/o CENTRAL SUPPORT

CLIP PLATING
F6: Full 3u" gold
T1: Full 1in" gold
7: Full 30u" gold

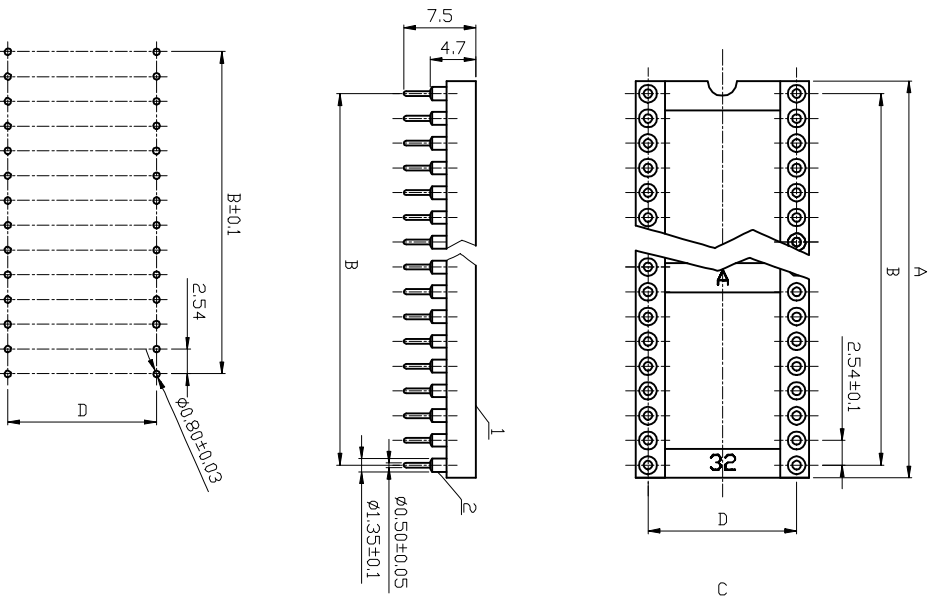
HOUSING MATERIAL
S: PBT

WIDTH
N: 7.62mm(06-24P)
W: 15.24mm(24-40P)

PIN PLATING
T1: Full Tin
8: Full GOLD FLASH

CLIP TYPE
B: 4 FINGERS

No.OF CONTACTS
06 08 12 14 16 18
20 24 28 32 40



RECOMMENDED PCB LAYOUT(TOLERANCE=±0.05)

GENERAL TOLERANCE	ANGLE TOLERANCE
X, ± 0.60	X, $\pm 5^\circ$
.X, ± 0.38	.X, $\pm 3^\circ$
.XX, ± 0.25	.XX, $\pm 2^\circ$

DRAWING TYPE	CUSTOMER	SCALE	SHEET	OF
1:1		1:1	1	1

PROJECTION	TITLE
UNITS mm	2.54mm IC SOCKET(Machine Pin) Vertical Through Type
SHEET SIZE A4	SERIES LL1021-1

慈溪蓝翎电子有限公司
CIXI LANLING ELECTRONICS CO., LTD.

ITEM	PART NAME	PART NO.	MATERIALS	FINISHED
1	HOUSING		THERMOPLASTIC	UL 94 V-0
2	CONTACT		COPPER ALLOY	GOLD OR TIN PLATED