

REV	DESCRIPTION	DRAWN	CHECKED	APPROVED
A	NEW RELEASE	ZQJ 11/18/2014	~	
B	ADD P/N CODE	CJJ 11/18/2014	~	

NOTES:

- ELECTRICAL CHARACTERISTICS:
 - CONTACT RESISTANCE: 20mΩ Max.
 - DIELECTRIC WITHSTANDING VOLTAGE: 500V AC(rms) FOR 1 MINUTE.
 - INSULATION RESISTANCE: 1000MΩ Min.
- ENVIRONMENT CHARACTERISTICS:
 - TEMPERATURE: -40°C~+105°C.

3. PRODUCT NUMBER CODE:

LL1022-1

- X X X X X X

L: CENTRAL SUPPORT
 S: W/ CENTRAL SUPPORT
 X: W/0 CENTRAL SUPPORT

CONTACT TYPE

1: TYPE 1
 2: TYPE 2
 3: TYPE 3

PIN PLATING

F1: Full gold flash

WIDTH(DIM D)

N:7.62mm

W:15.24mm

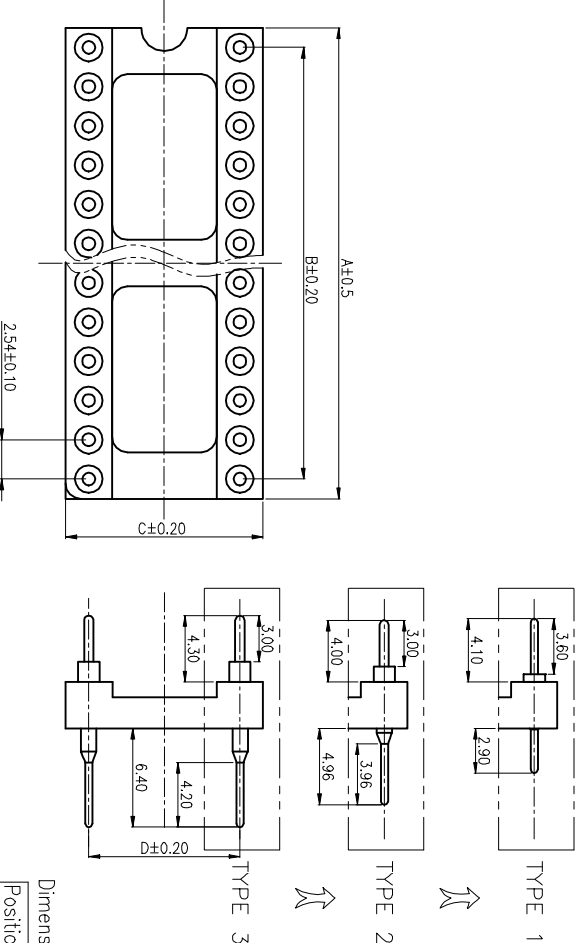
No. OF CONTACTS

06 08 14 16 18

20 24 28 32 40

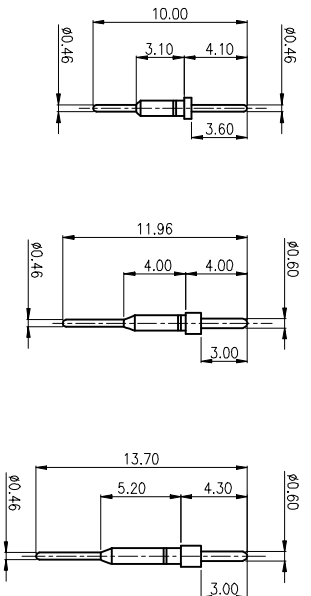
SERIES No.

LL1022-1



Dimension

Position	A	B	C	D
06	7.62	5.08	10.16	7.62
08	10.16	7.62	10.16	7.62
14	17.78	15.24	10.16	7.62
16	20.32	17.78	10.16	7.62
18	22.86	20.32	10.16	7.62
20	25.40	22.86	10.16	7.62
24	30.48	27.94	10.16	7.62
28	35.56	33.02	10.16	7.62
24	30.48	27.94	17.78	15.24
28	35.56	33.02	17.78	15.24
32	40.64	38.10	17.78	15.24
40	50.80	48.26	17.78	15.24



TYPE 1
 TYPE 2
 TYPE 3
 TYPE1/2/3 DIA.(TOLERANCE=±0.05)

GENERAL TOLERANCE		ANGLE TOLERANCE	
X	±0.60	X	±5°
X	±0.38	X	±3°
XX	±0.25	XX	±2°

DRAWING TYPE	CUSTOMER	SCALE	DRAWING NO.
		1:1	

PROTECTION		TITLE	
UNITS	mm	MACHINE PIN HEADER IC PITCH 2.54mm	
SHEET SIZE	A4	LL1022-1	
		SERIES	

慈溪蓝翎电子有限公司
 CIXI LANLING ELECTRONICS CO., LTD.