

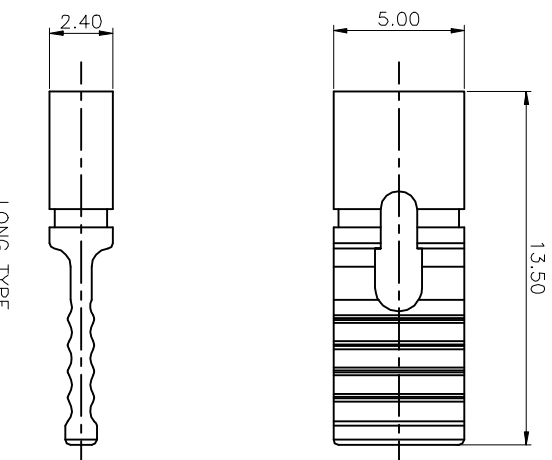
REV.	DESCRIPTION	DRAWN	CHECKED	APPROVED
A	NEW RELEASE	ZQJ 11/18/2014		
B	ADD P/N CODE	CJJ 11/18/2014		

NOTES:

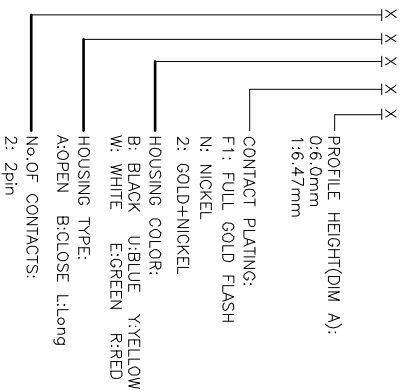
- SPECIFICATION:
 - CONTACT RESISTANCE: 30mΩ MAX.
 - DIELECTRIC WITHSTANDING VOLTAGE: 250V AC(ms)
- FOR 1 MINUTE.
- INSULATION RESISTANCE: 500MΩ Min.
- OPERATING TEMPERATURE: -40°C~+105°C.

2. PRODUCT NUMBER CODE:

LL1044-1D-X X X X X



LONG TYPE



GENERAL TOLERANCE	ANGLE TOLERANCE	TOLERANCE
X, ±0.60	X, ±5°	±5°
.X, ±0.38	.X, ±3°	±3°
.XX, ±0.25	.XX, ±2°	±2°

DRAWING TYPE	CUSTOMER	SHEET	1 OF 1
SCALE	1:1	SHEET	1 OF 1
DRAWING NO.	C-DS1027-XXXXX		

PROJECTION	TITLE
UNITS: mm	2.54mm MINI JUMPER ASSIST TYPE
SHEET SIZE: A4	SERIES: LL1044-1D

慈溪蓝翎电子有限公司
 CIXI LANLING ELECTRONICS CO., LTD.
 Tel: 86-574-89519098 Fax: 86-574-89517070