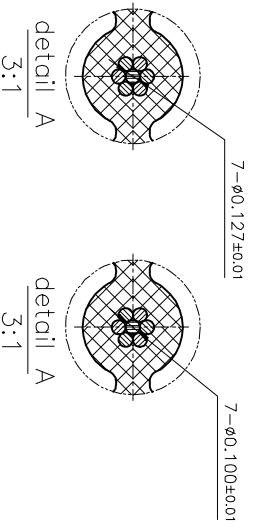
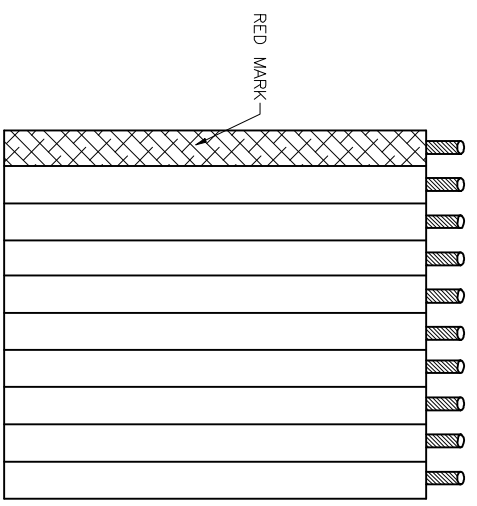
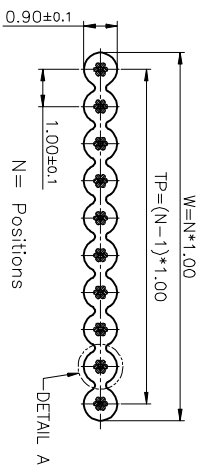


REV	DESCRIPTION	DRAWN	CHECKED	APPROVED
A	NEW RELEASE	ZQJ 11/18/2014		

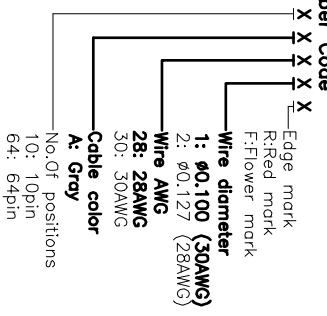


- NOTES:**
- Insulation material: PVC
  - Color: Grey
  - APPLICATION
    - Internal wiring of computers, electronic exchanges, measurement control devices, business machines, communication devices, and other electronic equipment.
  - Product Number Code LL1049-2

Number	Dimensions		Max. conductor resistance DC 20°C Ω/m
	TP(mm)	W(mm)	
10	9.00	10.00	±0.30
14	13.00	14.00	±0.30
16	15.00	16.00	±0.30
20	19.00	20.00	±0.30
24	23.00	24.00	±0.30
26	25.00	26.00	±0.30
30	29.00	30.00	±0.30
34	33.00	34.00	±0.40
40	39.00	40.00	±0.40
50	49.00	50.00	±0.40
60	59.00	60.00	±0.40
64	63.00	64.00	±0.40

GENERAL TOLERANCE	ANGLE TOLERANCE	PROJECTION
X: ±0.60	X: ±5°	mm
.X: ±0.38	.X: ±3°	SHEET SIZE
.XX: ±0.25	.XX: ±2°	A4

DRAWING TYPE	CUSTOMER	SHEET	1 OF 1	TITLE
SCALE	1:1			UL2651 FLAT CABLE 10MM
DRAWING NO.				LL1049-2



慈溪蓝翎电子有限公司  
CIXI LANLING ELECTRONICS CO., LTD.