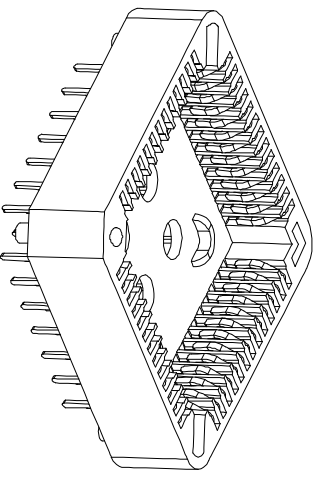
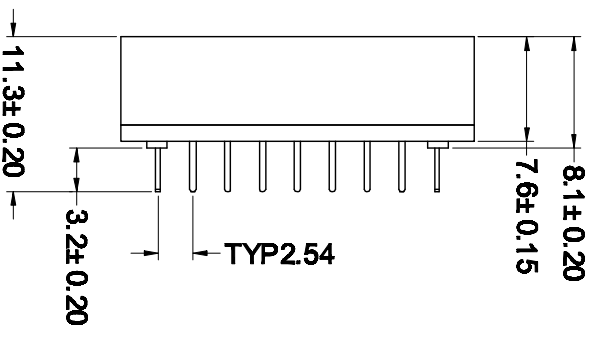
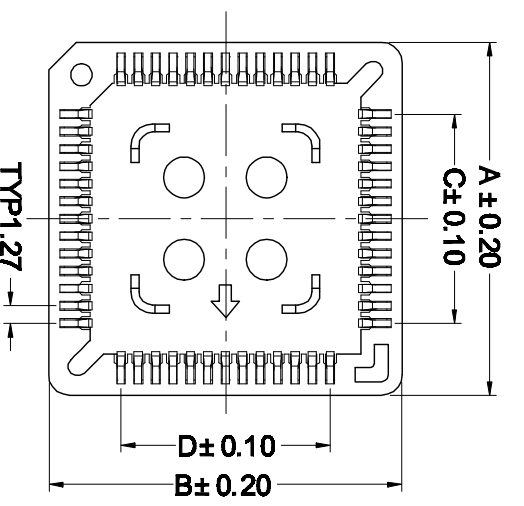


REV.	DESCRIPTION	DRAWN	CHECKED	APPROVED
A	NEW RELEASE	ZQJ 11/18/2014	~	CJJ 11/18/2014
B	ADD 50pin drawing	ZQJ 11/18/2014	~	CJJ 11/18/2014
C	ADD BR TYPE	CJJ 11/18/2014	~	CJJ 11/18/2014
D	REDRAWING	CJJ 11/18/2014	~	CJJ 11/18/2014
E	ADD P/N CODE	CJJ 11/18/2014		



Dimension

Position	A	B	C	D
20	15.58	15.58	5.08	5.08
28	18.12	18.12	7.62	7.62
32	18.12	20.66	7.62	10.16
44	23.20	23.20	12.70	12.70
52	25.74	25.74	15.24	15.24
68	30.82	30.82	20.32	20.32
84	35.90	35.90	25.40	25.40

GENERAL TOLERANCE	ANGLE TOLERANCE
X, ±0.60	X, ±5°
.X, ±0.38	.X, ±3°
.XX, ±0.25	.XX, ±2°

DRAWING TYPE	CUSTOMER
SCALE	1:1
DRAWING NO.	SHEET 1 OF 1

PROJECTION	TITLE
UNITS mm	PLCC SOCKET DIP TYPE
SHEET SIZE A4	SERIES LL1054-1



**慈溪蓝翎电子有限公司**  
CIXI LANLING ELECTRONICS CO., LTD.