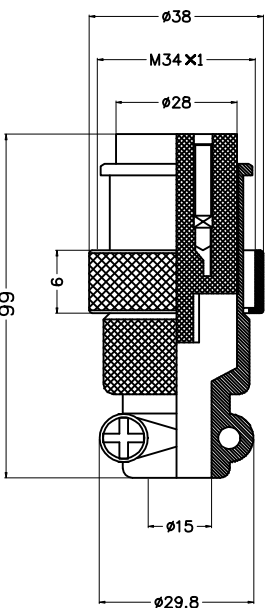
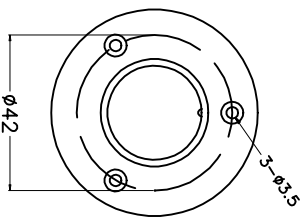
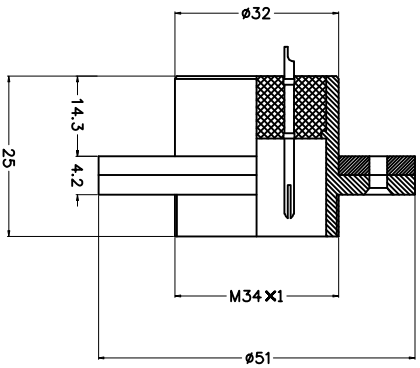


REV.	DESCRIPTION	DRAWN	CHECKED	APPROVED
A	NEW RELEASE	ZQJ 11/18/2015	~	ZQJ 11/18/2015
B	ADD P/N CODE	CJJ 11/18/2015	~	CJJ 11/18/2015

DF35 系列 21-8T



Pin No.	Pin 1	Pin 2	Pin 3	Pin 4	Pin 5	Pin 6	Pin 7	Pin 8
Signal	Signal	Signal	Signal	Signal	Signal	Signal	Signal	Signal
Ground	Ground	Ground	Ground	Ground	Ground	Ground	Ground	Ground

1. 零件名称: DF35
 2. 规格: M34 X1
 3. 材料: 铝合金
 4. 表面处理: 阳极氧化
 5. 检验标准: GB/T 19779

GENERAL TOLERANCE	ANGLE TOLERANCE
X: ±0.60	X: ±5°
.X: ±0.38	.X: ±3°
.XX: ±0.25	.XX: ±2°

PROJECTION	TITLE
UNITS: mm	DF35 Micro Jack Connector
SHEET SIZE: A4	SERIES: DF35

ITEM	PART NAME	DRAWING TYPE	CUSTOMER	SCALE	SHEET	1 OF 1
2	CONTACT					
1	HOUSING					
1	PART NAME	DRAWING NO.				

慈溪蓝翎电子有限公司
CIXI LANLING ELECTRONICS CO., LTD.